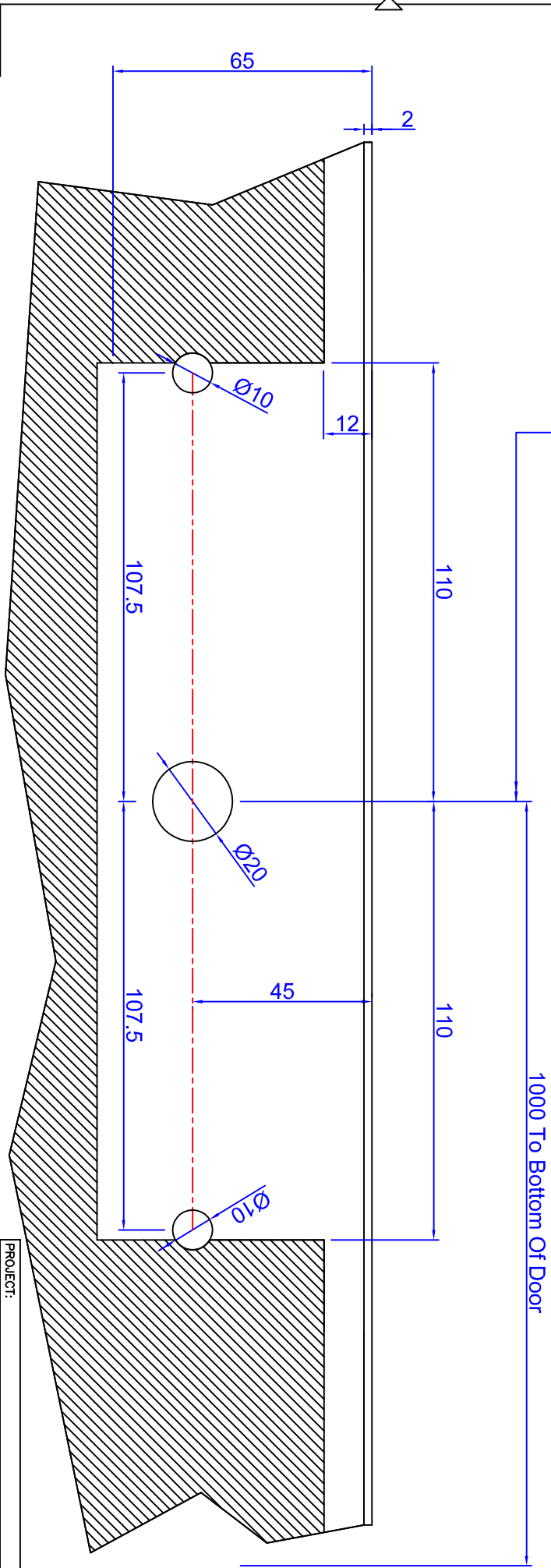
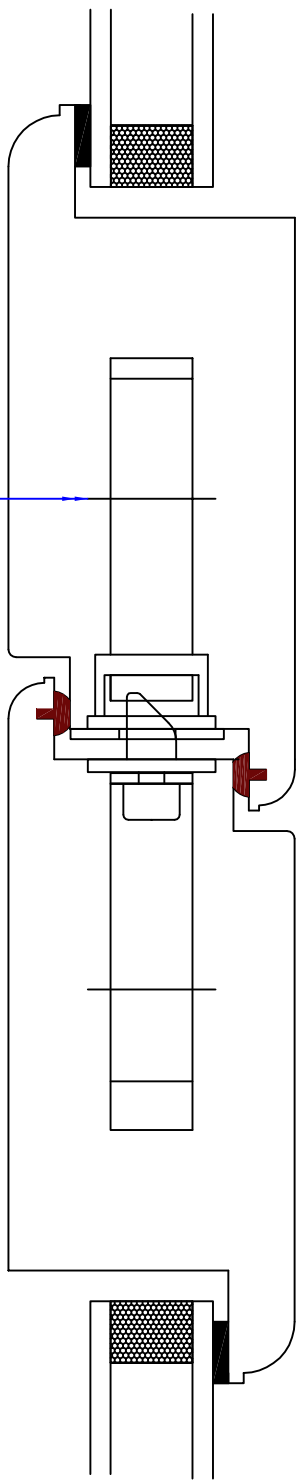






# Slave Door centre Case Preparation



| REVISIONS |    |      |             |        |    |      |             |
|-----------|----|------|-------------|--------|----|------|-------------|
| (ISS.)    | BY | DATE | DESCRIPTION | (ISS.) | BY | DATE | DESCRIPTION |
|           |    |      |             |        |    |      |             |
|           |    |      |             |        |    |      |             |
|           |    |      |             |        |    |      |             |

|                   |       |           |              |
|-------------------|-------|-----------|--------------|
| PROJECT:          |       | TITLE:    |              |
| DRAWING/PART No.: |       | SCALE:    |              |
| ISSUE No.:        | DATE: | DRAWN BY: | R.I.Chantler |
| MATERIALS:        |       | FINISH:   |              |
| TOLERANCES:       |       |           |              |

THIS DRAWING BELONGS EXCLUSIVELY TO FULLLEX LOCKS LTD. AND IS ISSUED SOLELY FOR THE PURPOSE OF MANUFACTURING PARTS TO BE SUPPLIED TO FULLLEX LOCKS LTD. NO PARTS, DRAWINGS, COPIES OR SAMPLES PRODUCED FROM THIS OR ANY OTHER FULLLEX DRAWING IS TO BE ISSUED TO A THIRD PARTY WITHOUT SPECIFIC WRITTEN PERMISSION FROM A DIRECTOR OF FULLLEX LOCKS LTD.





